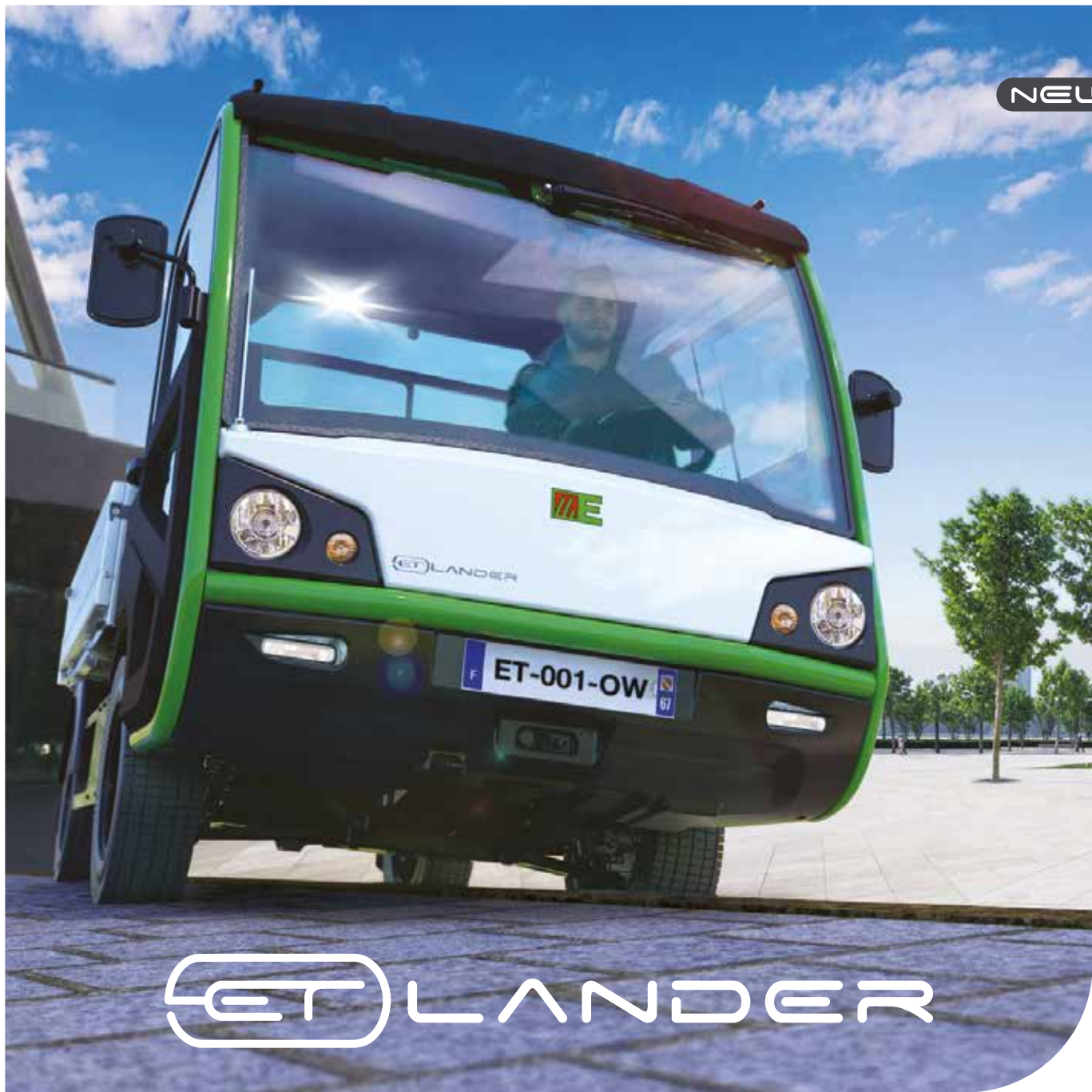


NEW!



ET LANDER

# ETLANDER

## OUTLANDISHLY GREEN

ET LANDER, the compact utility vehicle from ETESIA.  
Eco-friendly, efficient and long-range.  
The versatile solution for urban areas and green spaces.



### ECO-FRIENDLY

- ∅ CO<sub>2</sub> emissions
- ∅ sound pollution

### EFFICIENT

- Loading area:  
up to 181 x 151 cm
- Loading capacity :  
1 metric ton
- Towing capacity:  
750 kg (brakeless trailer)



### VERSATILE

#### ET LANDER the solution for urban areas...

- Compact (overall length 3,72 m)
- Tight turning radius (4,40 m outer)
- High ground clearance (201 mm)  
to pass over traffic control bollards



#### ... And green spaces!

- High ground clearance (201 mm)  
to pass over obstacles
- Excellent driveability  
(off-road tyres 185/75/R14  
with 14" rims)
- Gradeability up to 35%  
(unloaded), even off road



### LONG-RANGE

- Estimated range: 60 km (37 mi)  
with multi-purpose usage
- Battery charging time: 8 hrs  
(16A 230V connection)

# ET LANDER OUTLANDISHLY VERSATILE



Spacious, well-equipped and user-friendly, ET LANDER has many a trick in its tipper to give you the best working conditions and get the job done in next to no time.

## WELCOME ON BOARD



### A SPACIOUS, COMFORTABLE CAB

- 2-seater cab with interior volume of 1.7 m<sup>3</sup>
- Easy access without step-plate
- Sound-proof, insulated and ventilated cab

## PROFESSIONAL TOOLING



### LOADING RAMPS

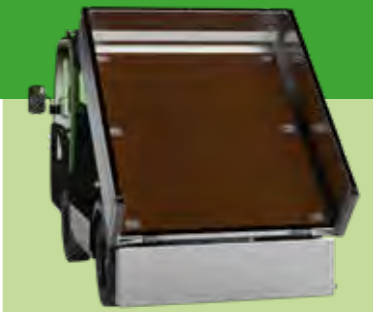
- Quickly converted tool-free from side panels

## ELECTRIC GENERATOR FITTED AS STANDARD

- 72VDC 230 AC Converter  
– Power 2.5 kW

## EASY TO DRIVE AND OPERATE

- Power steering fitted as standard
- Centralised control panel with backlit membrane keyboard and 4.3" LCD display, featuring the equipment and accessory controls and information and warning indicators.



## 3-WAY TIPPER BED

- 3-way tipping with dual control from cab or by remote control

# ETLANDER

## OUTLANDISHLY INNOVATIVE



Designed and manufactured in France, ET LANDER is built on a robust chassis and fitted with tried-and-tested technical features. It is low-maintenance and covered by a 2-year parts and labour warranty.



### TECHNICAL SPECIFICATIONS

#### PERFORMANCE

Maximum loading area:	181 cm x 151 cm
Maximum payload:	1 metric ton
Maximum towing capacity: (brakeless trailer)	750 kg
Estimated range: (multi-purpose usage)	60 km
Maximum speed:	40 km/h
Gradeability:	35° (unloaded)
Turning radius:	4.40 m (outer)

#### MOTOR

Electric motor type:	3-phase asynchronous
Nominal power:	10 kW

#### TRANSMISSION

Mechanical differential axle
Transmission by 1/16 reduction gearing on rear wheels

#### SUSPENSION

Front: double wishbone, Rear: leaf spring

#### BRAKES

Front: disc brakes, Rear: drum brakes  
 Mechanical service brake (hydraulically controlled)  
 Electric regenerative service brake recovering energy for storage in the battery  
 Mechanical parking brake (cable-operated on rear drum brakes)

#### STEERING

Mechanical steering with electric power steering fitted as standard

#### BATTERY

Lead-acid 72V 220 Ah - C<sub>5</sub> - nominal power 15,8 kW - 36 x 2 V cells  
 Estimated charging time: 8 hours  
 Estimated operating life = 80% capacity minimum after 400 cycles

### STANDARD EQUIPMENT

#### SAFETY

- Key-locked cab
- Driver identification by RFID badge
- Driver presence detection
- Lap safety belt on driver and passenger seats
- Protective expanded polypropylene shock absorbers on doors
- Backup alarm
- Horn
- Hazard lights
- Flashing beacon 12V LED
- Automatic switch-off (when the driver gets up from seat)
- Ready wired for roof equipment (controlled from cab)

#### CAB & COMFORT

- 2-seater cab
- Insulated expanded polypropylene roof
- 2 side doors with sliding windows
- 1 back window with sliding pane
- Windscreen de-misting and heating via ventilation system
- Cab interior light (LED)
- Keyless start-up (RFID Badge)
- Adjustable driver and passenger seats
- Power steering fitted as standard
- 12 V socket
- USB port
- Radio

#### THE CONTROLS

- Left lever: lights, indicator and horn
  - Right lever: windscreen wipers, washer fluid, selector switch
  - Dashboard controls: ventilation/de-misting, steering-wheel angle setting, hazard lights
  - Centralised control panel with membrane keyboard and 4.3" LCD display
- > Equipment and accessory controls:
- ▶ Flashing beacon
  - ▶ Rear working light
  - ▶ Rear fog light
  - ▶ Front and rear 12V socket
  - ▶ Tipper lifting
  - ▶ Running with tipper lifted
  - ▶ Forward speed selector (slow/fast)
  - ▶ Windscreen de-icing

> Operating information display:

- ▶ Navigation screen
- ▶ Speed
- ▶ Odometer
- ▶ Battery charge percentage
- ▶ Electric power consumption
- ▶ Power regeneration
- ▶ Status display with luminous indicator in text format (e.g. de-icing indicator, parking brake indicator)

#### VISIBILITY

- 2-speed windscreen wipers with washer fluid
- LED daytime running lights
- Front lights (headlamps, dipped lamps, sidelights and daytime lights)
- Rear lights (brake lights, sidelights, reversing lights)
- Front, side\* and rear\* indicators
- Rear fog lights\*

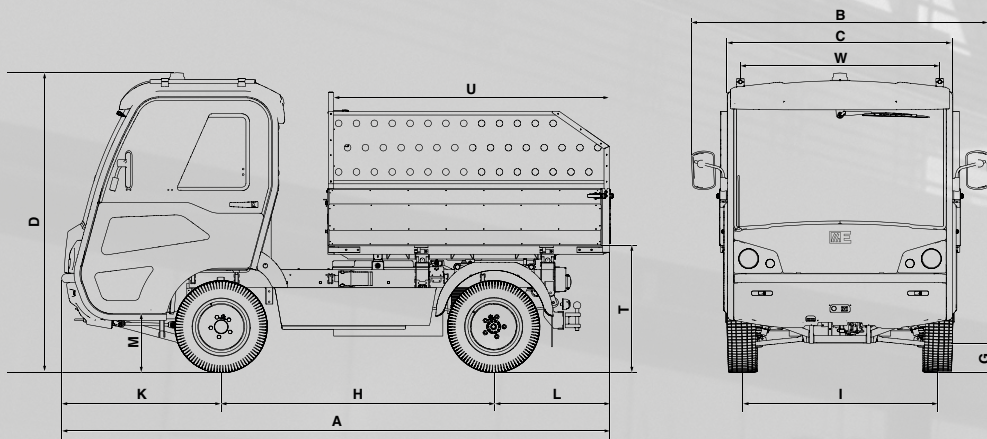
(\* LED)

#### ACCESSORIES & EQUIPMENT

- Long bed
- 3-way tipping with cab control and remote control
- Aluminium side and rear panels h=38 cm
- Aluminium front and side extensions h=51 cm
- Converter 72VDC 230 V AC - power 2 kW (continuous) and 3.2 kW (peak)
- Roof bars
- Trailer coupling with socket
- 2 lateral storage boxes with double locking mechanism

# ETLANDER

BE OUTLANDISH!



## DIMENSIONS

A = Overall length	3713 mm	L = Rear overhang	813 mm
B = Overall width	1980 mm	M = Step height	417 mm
C = Cab width	1510 mm	T = Loading height	854 mm
D = Height (with flashing beacon)	2012 mm	U = Interior tipper length	1816 mm
G = Ground clearance	202 mm	W = Interior tipper width	1515 mm
H = Wheelbase	1831 mm	AT = Approach angle	21°
I = Front and rear track width	1315 mm	FU = Departure angle	39°
K = Front overhang	1070 mm		

## WEIGHT

Lead battery	571 kg
Kerb weight	1695 kg
Payload	1000 kg
GVWR	2695 kg
GCWR	3445 kg



ETESIA is a member of the Elmar WOLF group, backed by 60 years' experience in green space management. ETESIA is based in Alsace, France and boasts state-of-the-art production plant and research facilities. Our products are distributed in more than 30 countries worldwide.

### MORE INFO:

UK: 01295 680 120 - sales@etesia.co.uk  
 ETESIA UK - Greenway House, Sherington Business Park, Sherington. Oxfordshire OX15 6HW - www.etesia.co.uk

Worldwide: +33 (0)6 87 89 16 34 - fherault@etesia.com  
 ETESIA SAS - 13 rue de l'Industrie - F 67165 WISSEMBOURG CEDEX - www.etesia.com