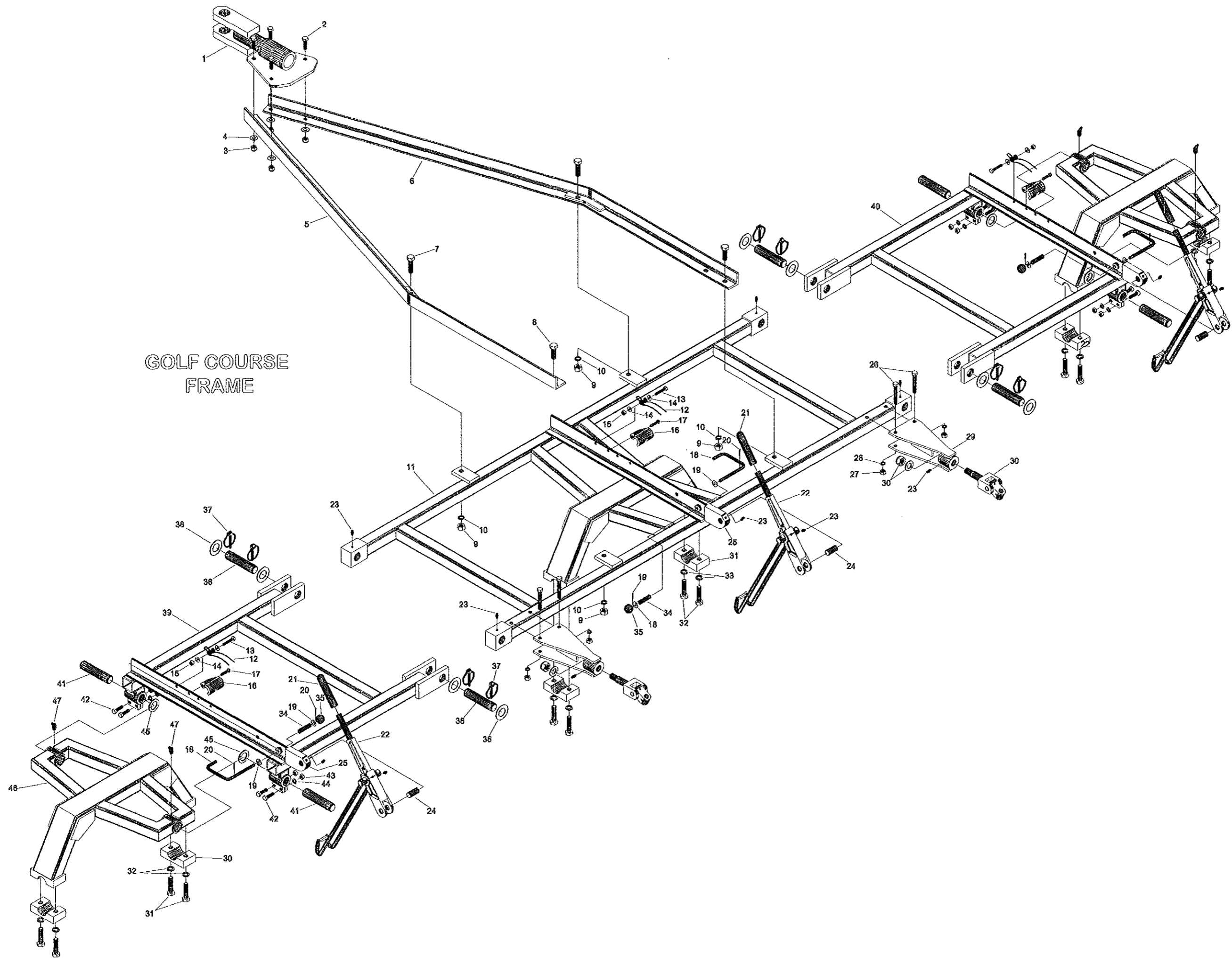


Parts List for Leda Golf Course Frame

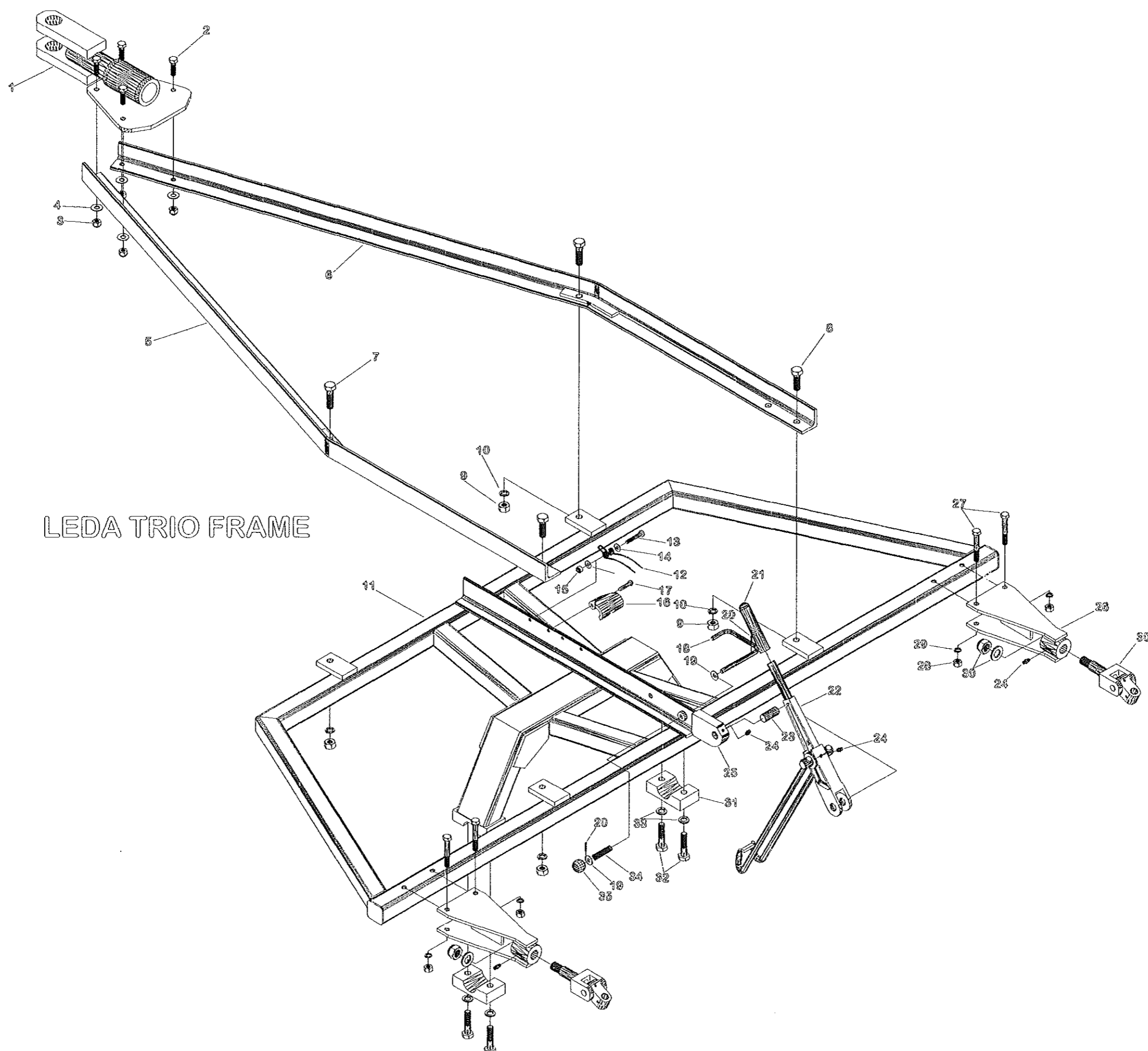
Item No	Part No.	Description	Quantity per Machine	Notes
1	ET 82X-119	Towing jaw assembly	1	
2	B164L	Bolt	4	
3	GS161-006	Nylon insert nut	4	
4	GS163-006	Flat washer	4	
5	N33G	Left hand drawbar	1	
6	N34G	Right hand drawbar	1	
7	ET267	Bolt	2	
8	MT 97	Bolt	2	
9	GS160-008	Nut	4	
10	GS164-008	Spring washer	4	
11	N30XG-95-760	Main frame ass' mbly - 30"	1	
12	ET155	Hold down spring	3	
13	EU680	Bolt	3	
14	GS163-004	Flat washer	6	
15	EU680N	Nylon insert nut	3	
16	ET120	Hook holder	3	
17	GS169-0836	Rivet	3	
18	ET172-84	Locking pin	3	
19	GS163-005	Flat washer	6	
20	GS168-0316	Split pin	6	
21	ET405	Handle grip	3	
22	ET401XG	Lifting lever & hook assembly	3	
23	213-122-001	Grease nipple	12	
24	ET404	Lever pivot pin	3	
25	ET402-96	Lever pivot block	3	Requires welding
26	GS150-0640	Bolt	4	
27	GS160-006	Nut	4	
28	GS164-006	Spring washer	4	
29	N10-98	Bracket	2	
30	ET170X-94	Universal coupling	2	
31	342-09-101	Clamp half	6	
32	006-150-1250	Bolt	12	
33	006-164-012	Spring washer	12	
34	B112	Spring	3	
35	B110	Hand knob	3	
36	N37-98	Hinge pin	4	
37	N41	Retaining pin	8	
38	GS163-016	Flat washer	8	
39	N31XG-95-LH-760	Left hand wing assembly	1	
40	N31XG-95-RH-760	Right hand wing assembly	1	
41	N19-95	Pivot pin	4	
42	006-150-0830	Bolt	8	
43	006-160-008	Nut	8	
44	006-164-008	Spring washer	8	
45	342-02-116	Thrust washer	4	
46	N12G-95	Clamp frame	2	
47	MT 96	Grease nipple - 90 degree	4	

GOLF COURSE
FRAME



Parts List for Leda Trio Frame

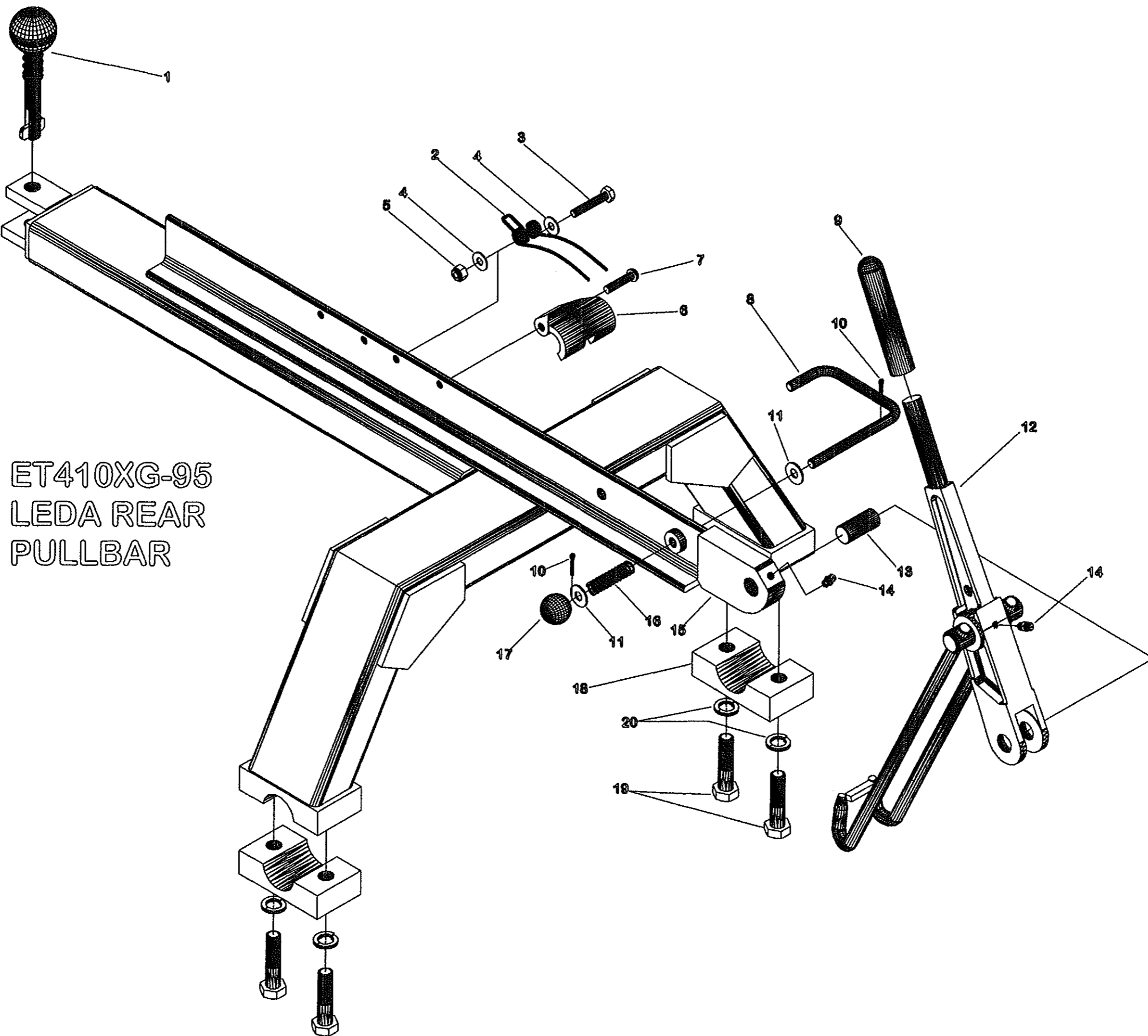
Item No'	Part No.	Description	Quantity per Machine	Notes
1	ET 82X-119	Towing jaw assembly	1	
2	B164L	Bolt	4	
3	GS161-006	Nylon insert nut	4	
4	GS163-006	Flat washer	4	
5	N33G	Left hand drawbar	1	
6	N34G	Right hand drawbar	1	
7	ET267	Bolt	2	
8	MT 97	Bolt	2	
9	GS160-008	Nut	4	
10	GS164-008	Spring washer	4	
11	N54X-760	Main frame-30"	1	
12	ET155	Hold down spring	1	
13	EU680	Bolt	1	
14	GS163-004	Flat washer	2	
15	EU680N	Nylon insert nut	1	
16	ET120	Hook holder	1	
17	GS169-0836	Rivet	1	
18	ET172-84	Locking pin	1	
19	GS163-005	Flat washer	2	
20	GS168-0316	Split pin	2	
21	ET405	Handle grip	1	
22	ET401XG	Lifting lever & hook	1	
23	ET404	Lever pivot pin	1	
24	213-122-001	Grease nipple	4	
25	ET402-96	Lever pivot block	1	Requires welding
26	N10-98	Bracket	2	
27	GS150-0640	Bolt	4	
28	GS160-006	Nut	4	
29	GS164-006	Spring washer	4	
30	ET170X-94	Universal coupling	2	
31	342-09-101	Clamp half	2	
32	006-150-1250	Bolt	4	
33	006-164-012	Spring washer	4	
34	B112	Spring	1	
35	B110	Hand knob	1	



LEDA TRIO FRAME

Parts List for Leda Rear Pullbar – Part No. ET410XG-95

Item No	Part No.	Description	Quantity per Machine	Notes
1	ET168X	Quick release pin	1	
2	ET155	Hold down spring	1	
3	EU680	Bolt	1	
4	GS163-004	Flat washer	2	
5	EU680N	Nylon insert nut	1	
6	ET120	Hook holder	1	
7	GS169-0836	Rivet	1	
8	ET172-84	Locking pin	1	
9	ET405	Handle grip	1	
10	GS168-0316	Split pin	2	
11	GS163-005	Flat washer	2	
12	ET401XL	Lifting lever & hook assembly	1	
13	ET404	Pivot pin	1	
14	213-122-001	Grease nipple	2	
15	ET402-96	Lever pivot block	1	Requires welding
16	B112	Spring	1	
17	B110	Hand knob	1	
18	342-09-101	Clamp half	2	
19	006-150-1250	Bolt	4	
20	006-164-012	Spring washer	4	



ET410XG-95
LEDA REAR
PULLBAR

Parts List for Husky Frame

Item No	Part No.	Description	Quantity per Machine	Notes
1	MT 10X	3-Point Mounting	1	
2	MT 11	Trunnion	1	
3	MT 12	Bush for Trunnion	1	
4	MT 80	Bolt	1	
5	MT 81	Nut	2	
6	MT 82	Spring Washer	2	
7	MT 96	Grease Nipple	2	
8	MT 48X	Main Frame	1	
9	MT 83	Bolt	1	
10	GS168-0652	Split Pin	1	
11	MT 88	Eyebolt c/w Locknut	6	
12	MT 89	'D' Shackle	6	
13	GS168-0464	Split Pin	6	
14	MT 70X	Mower Support Bar	3	
15	MT 74-96	Towing Clamp	12	
16	006-150-1670	Bolt	6	
17	006-161-016	Nylon Insert Nut	6	
18	006-150-1060	Bolt	18	
19	006-160-010	Nut	18	
20	006-164-010	Spring Washer	18	
21	MT 73X	Support Arm Link	3	
22	MT 92	Pin for Link Arm	6	
23	GS163-008	Flat Washer	12	
24	N41	Retaining Pin	6	
25	EU632	Set Screw	12	
26	GS164-007	Spring Washer	12	
27	MT 76	Locking Pin	1	
28	MT 77	Cranked Spring Ring	1	
29	342-18-008	Retaining Pin Tie	1	
30	B157	Screw	1	
31	GS163-004	Flat Washer	1	
32	MT 60X	Rear Frame	1	
33	MT 84X	Bolt & Nut for Rear Frame Pivot	1	
34	EU695	Grease Nipple	1	
35	MT 86	Flat Washer - Light	1	
36	MT 87	Flat Washer - Heavy	1	
37	GS168-0864	Split Pin	1	
38	MT 41X	Locking Saddle	1	
39	MT 90-118	Bolt	1	
40	GS161-006	Nylon Insert Nut	1	
41	MT 94	'D' Shackle	1	
-	MT 42	Nylon Cord for Locking Saddle	1	

HUSKY FRAME

