



SMART ELECTRIC UTILITY VEHICLES

TECHNICAL SHEET



Made in Belgium

MT15n Combo Tipper

MT15n Combo Tipper

TECHNICAL SHEET

Technical data

Homologation	N1
Seats	2
Speed	Up to 70km/h*
WLTP	Up to 132km*
Turning radius	4,5m
Weight chassis cabin	886kg
Load capacity	725kg
Towing capacity	1200kg**
Brakes front & rear	Discs
Suspension front & rear	Coiled springs
Vehicle warranty	2 years

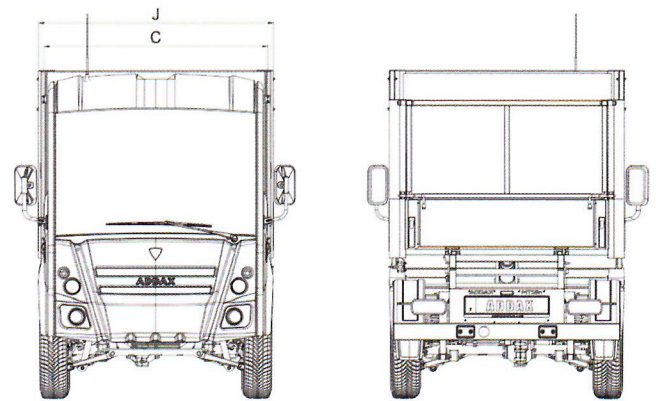
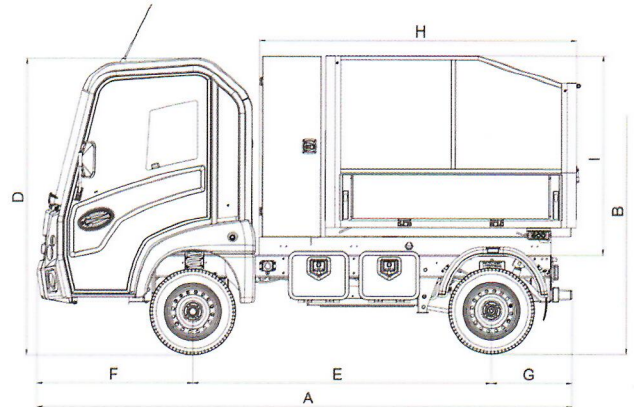
Electrical data

Motor type	Three fase asynchronous
Motor power	12,5kW
Motor torque	120Nm
Battery type	LiFePO4
Battery capacity	14,4kWh
Battery warranty	5 years
Charging	16A 230V

Dimensions

A - Total length	3655mm
B - Total height	1990mm
C - Cabin width	1390mm
D - Cabin height	1990mm
E - Wheel base	2040mm
F - Front overhang	1065mm
G - Rear overhang	550mm
H - Length combo tipper	2150mm
I - Height combo tipper	1350mm
J - Width combo tipper	1450mm
Internal length tipper	1650mm
Internal length toolbox	397mm

* depending on the chosen transmission and/or local legislation
** 565kg for unbraked trailers



Addax Motors - Kleine Tapuitstraat 18 - 8540 Deerlijk - Belgium - info@addaxmotors.com - +32 56 36 50 00
www.addaxmotors.com

This marketing support presents the models, equipment features and configuration possibilities of Addax electric utility vehicles. All the characteristics of this document are given as and indication. Addax Motors reserves the right to modify them without notice. Visuals may include standard or optional equipment and accessories depending on the country of sale. Technical specifications correspond to standard versions which may differ according to the country of sale. Please check with your dealer for any local specifications.